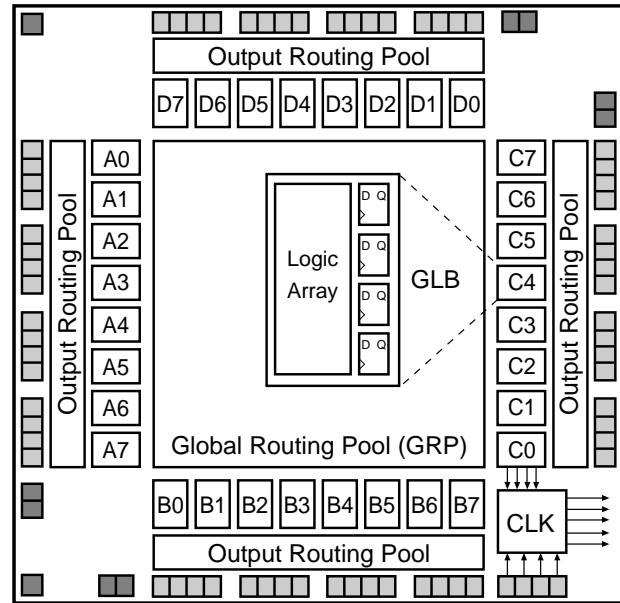


**Features**

- **HIGH-DENSITY PROGRAMMABLE LOGIC**
  - High Speed Global Interconnect
  - 6000 PLD Gates
  - 64 I/O Pins, Eight Dedicated Inputs
  - 192 Registers
  - Wide Input Gating for Fast Counters, State Machines, Address Decoders, etc.
  - Small Logic Block Size for Fast Random Logic
  - Security Cell Prevents Unauthorized Copying
- **HIGH PERFORMANCE E<sup>2</sup>CMOS<sup>®</sup> TECHNOLOGY**
  - $f_{max} = 90$  MHz Maximum Operating Frequency
  - $f_{max} = 60$  MHz for Industrial and Military/883 Devices
  - $t_{pd} = 12$  ns Propagation Delay
  - TTL Compatible Inputs and Outputs
  - Electrically Erasable and Reprogrammable
  - Non-Volatile E<sup>2</sup>CMOS Technology
  - 100% Tested
- **ispLSI OFFERS THE FOLLOWING ADDED FEATURES**
  - In-System Programmable<sup>TM</sup> (ISP<sup>TM</sup>) 5-Volt Only
  - Increased Manufacturing Yields, Reduced Time-to-Market, and Improved Product Quality
  - Reprogram Soldered Devices for Faster Prototyping
- **COMBINES EASE OF USE AND THE FAST SYSTEM SPEED OF PLDs WITH THE DENSITY AND FLEXIBILITY OF FIELD PROGRAMMABLE GATE ARRAYS**
  - Complete Programmable Device Can Combine Glue Logic and Structured Designs
  - Four Dedicated Clock Input Pins
  - Synchronous and Asynchronous Clocks
  - Flexible Pin Placement
  - Optimized Global Routing Pool Provides Global Interconnectivity
- **ispLSI AND pLSI DEVELOPMENT TOOLS**
  - pDS<sup>®</sup> Software**
    - Easy to Use PC Windows<sup>TM</sup> Interface
    - Boolean Logic Compiler
    - Manual Partitioning
    - Automatic Place and Route
    - Static Timing Table
  - ispDS+<sup>TM</sup> Software**
    - Industry Standard, Third Party Design Environments
    - Schematic Capture, State Machine, HDL
    - Automatic Partitioning and Place and Route
    - Comprehensive Logic and Timing Simulation
    - PC and Workstation Platforms

**Functional Block Diagram**



**Description**

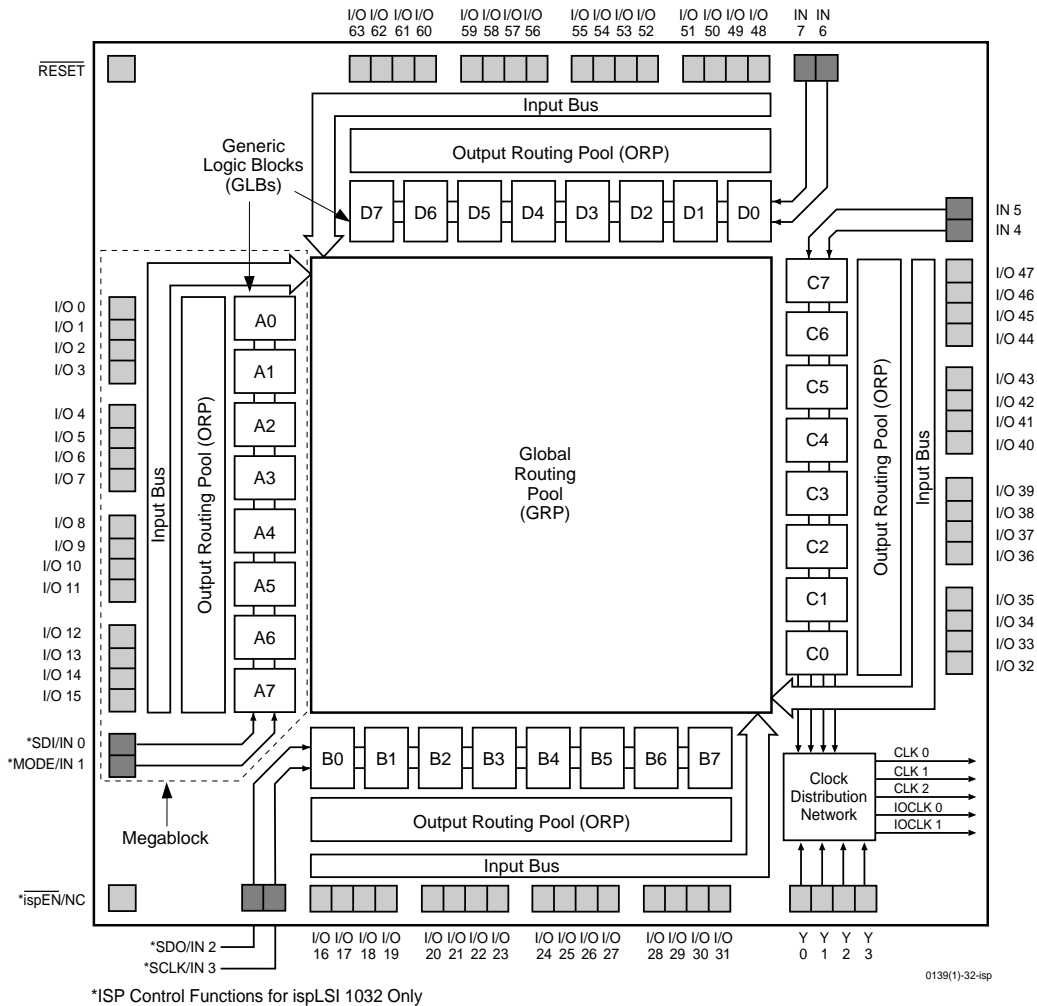
The ispLSI and pLSI 1032 are High-Density Programmable Logic Devices containing 192 Registers, 64 Universal I/O pins, eight Dedicated Input pins, four Dedicated Clock Input pins and a Global Routing Pool (GRP). The GRP provides complete interconnectivity between all of these elements. The ispLSI 1032 features 5-Volt in-system programming and in-system diagnostic capabilities. It is the first device which offers non-volatile "on-the-fly" reprogrammability of the logic, as well as the interconnect to provide truly reconfigurable systems. It is architecturally and parametrically compatible to the pLSI 1032 device, but multiplexes four of the dedicated input pins to control in-system programming.

The basic unit of logic on the ispLSI and pLSI 1032 devices is the Generic Logic Block (GLB). The GLBs are labeled A0, A1 .. D7 (see figure 1). There are a total of 32 GLBs in the ispLSI and pLSI 1032 devices. Each GLB has 18 inputs, a programmable AND/OR/XOR array, and four outputs which can be configured to be either combinatorial or registered. Inputs to the GLB come from the GRP and dedicated inputs. All of the GLB outputs are brought back into the GRP so that they can be connected to the inputs of any other GLB on the device.

Copyright © 1997 Lattice Semiconductor Corp. All brand or product names are trademarks or registered trademarks of their respective holders. The specifications and information herein are subject to change without notice.

**Functional Block Diagram**

**Figure 1. ispLSI and pLSI 1032 Functional Block Diagram**



The devices also have 64 I/O cells, each of which is directly connected to an I/O pin. Each I/O cell can be individually programmed to be a combinatorial input, registered input, latched input, output or bi-directional I/O pin with 3-state control. Additionally, all outputs are polarity selectable, active high or active low. The signal levels are TTL compatible voltages and the output drivers can source 4 mA or sink 8 mA.

Eight GLBs, 16 I/O cells, two dedicated inputs and one ORP are connected together to make a Megablock (see figure 1). The outputs of the eight GLBs are connected to a set of 16 universal I/O cells by the ORP. The I/O cells within the Megablock also share a common Output Enable (OE) signal. The ispLSI and pLSI 1032 devices contain four of these Megablocks.

The GRP has as its inputs the outputs from all of the GLBs and all of the inputs from the bi-directional I/O cells. All of these signals are made available to the inputs of the GLBs. Delays through the GRP have been equalized to minimize timing skew.

Clocks in the ispLSI and pLSI 1032 devices are selected using the Clock Distribution Network. Four dedicated clock pins (Y0, Y1, Y2 and Y3) are brought into the distribution network, and five clock outputs (CLK 0, CLK 1, CLK 2, IOCLK 0 and IOCLK 1) are provided to route clocks to the GLBs and I/O cells. The Clock Distribution Network can also be driven from a special clock GLB (C0 on the ispLSI and pLSI 1032 devices). The logic of this GLB allows the user to create an internal clock from a combination of internal signals within the device.

## Absolute Maximum Ratings <sup>1</sup>

Supply Voltage  $V_{CC}$  ..... -0.5 to +7.0V  
 Input Voltage Applied ..... -2.5 to  $V_{CC} + 1.0V$   
 Off-State Output Voltage Applied ..... -2.5 to  $V_{CC} + 1.0V$   
 Storage Temperature ..... -65 to 150°C  
 Case Temp. with Power Applied ..... -55 to 125°C  
 Max. Junction Temp. ( $T_J$ ) with Power Applied ... 150°C

1. Stresses above those listed under the “Absolute Maximum Ratings” may cause permanent damage to the device. Functional operation of the device at these or at any other conditions above those indicated in the operational sections of this specification is not implied (while programming, follow the programming specifications).

## DC Recommended Operating Conditions

SYMBOL	PARAMETER	MIN.	MAX.	UNITS	
$V_{CC}$	Supply Voltage	Commercial $T_A = 0^\circ C$ to $+70^\circ C$	4.75	5.25	V
		Industrial $T_A = -40^\circ C$ to $+85^\circ C$	4.5	5.5	
		Military/883 $T_C = -55^\circ C$ to $+125^\circ C$	4.5	5.5	
$V_{IL}$	Input Low Voltage	0	0.8	V	
$V_{IH}$	Input High Voltage	2.0	$V_{CC} + 1$	V	

Table 2- 0005Aisp w/mil.eps

## Capacitance ( $T_A=25^\circ C$ , $f=1.0$ MHz)

SYMBOL	PARAMETER	MAXIMUM <sup>1</sup>	UNITS	TEST CONDITIONS	
$C_1$	Dedicated Input Capacitance	Commercial/Industrial	8	pf	$V_{CC}=5.0V$ , $V_{IN}=2.0V$
		Military	10	pf	$V_{CC}=5.0V$ , $V_{IN}=2.0V$
$C_2$	I/O and Clock Capacitance	10	pf	$V_{CC}=5.0V$ , $V_{IO}$ , $V_Y=2.0V$	

1. Guaranteed but not 100% tested.

Table 2- 0006

## Data Retention Specifications

PARAMETER	MINIMUM	MAXIMUM	UNITS
Data Retention	20	–	Years
ispLSI Erase/Reprogram Cycles	10000	–	Cycles
pLSI Erase/Reprogram Cycles	100	–	Cycles

Table 2- 0008B

**Switching Test Conditions**

Input Pulse Levels	GND to 3.0V
Input Rise and Fall Time	≤ 3ns 10% to 90%
Input Timing Reference Levels	1.5V
Output Timing Reference Levels	1.5V
Output Load	See figure 2

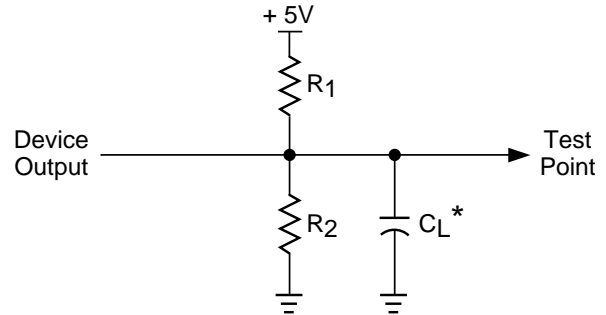
3-state levels are measured 0.5V from steady-state active level.

Table 2- 0003

**Output Load Conditions (see figure 2)**

Test Condition	R1	R2	CL
A	470Ω	390Ω	35pF
B	Active High	∞	390Ω
	Active Low	470Ω	390Ω
C	Active High to Z at $V_{OH} - 0.5V$	∞	390Ω
	Active Low to Z at $V_{OL} + 0.5V$	470Ω	390Ω

**Figure 2. Test Load**



\*CL includes Test Fixture and Probe Capacitance.

**DC Electrical Characteristics**

**Over Recommended Operating Conditions**

SYMBOL	PARAMETER	CONDITION	MIN.	TYP. <sup>3</sup>	MAX.	UNITS	
<b>VOL</b>	Output Low Voltage	$I_{OL} = 8 \text{ mA}$	–	–	0.4	V	
<b>VOH</b>	Output High Voltage	$I_{OH} = -4 \text{ mA}$	2.4	–	–	V	
<b>IIL</b>	Input or I/O Low Leakage Current	$0V \leq V_{IN} \leq V_{IL} \text{ (MAX.)}$	–	–	-10	μA	
<b>IIH</b>	Input or I/O High Leakage Current	$3.5V \leq V_{IN} \leq V_{CC}$	–	–	10	μA	
<b>IIL-isp</b>	isp Input Low Leakage Current	$0V \leq V_{IN} \leq V_{IL} \text{ (MAX.)}$	–	–	-150	μA	
<b>IIL-PU</b>	I/O Active Pull-Up Current	$0V \leq V_{IN} \leq V_{IL}$	–	–	-150	μA	
<b>IOS1</b>	Output Short Circuit Current	$V_{CC} = 5V, V_{OUT} = 0.5V$	–	–	-200	mA	
<b>ICC2,4</b>	Operating Power Supply Current	$V_{IL} = 0.5V, V_{IH} = 3.0V$	Commercial	–	130	190	mA
		$f_{TOGGLE} = 1 \text{ MHz}$	Industrial/Military	–	135	220	mA

- One output at a time for a maximum duration of one second.
- Measured using eight 16-bit counters.
- Typical values are at  $V_{CC} = 5V$  and  $T_A = 25^\circ C$ .
- Maximum  $I_{CC}$  varies widely with specific device configuration and operating frequency. Refer to the Power Consumption section of this datasheet and Thermal Management section of this Data Book to estimate maximum  $I_{CC}$ .

Table 2- 0007A-32-isp

## External Timing Parameters

Over Recommended Operating Conditions

PARAMETER	TEST <sup>5</sup> COND.	# <sup>2</sup>	DESCRIPTION <sup>1</sup>	-90		-80		-60		UNITS
				MIN.	MAX.	MIN.	MAX.	MIN.	MAX.	
t <sub>pd1</sub>	A	1	Data Propagation Delay, 4PT bypass, ORP bypass	-	12	-	15	-	20	ns
t <sub>pd2</sub>	A	2	Data Propagation Delay, Worst Case Path	-	17	-	20	-	25	ns
f <sub>max</sub> (Int.)	A	3	Clock Frequency with Internal Feedback <sup>3</sup>	90.9	-	80	-	60	-	MHz
f <sub>max</sub> (Ext.)	-	4	Clock Frequency with External Feedback $\left(\frac{1}{t_{su2} + t_{co1}}\right)$	58.8	-	50	-	38	-	MHz
f <sub>max</sub> (Tog.)	-	5	Clock Frequency, Max Toggle <sup>4</sup>	125	-	100	-	83	-	MHz
t <sub>su1</sub>	-	6	GLB Reg. Setup Time before Clock, 4PT bypass	6	-	7	-	9	-	ns
t <sub>co1</sub>	A	7	GLB Reg. Clock to Output Delay, ORP bypass	-	8	-	10	-	13	ns
t <sub>h1</sub>	-	8	GLB Reg. Hold Time after Clock, 4 PT bypass	0	-	0	-	0	-	ns
t <sub>su2</sub>	-	9	GLB Reg. Setup Time before Clock	9	-	10	-	13	-	ns
t <sub>co2</sub>	-	10	GLB Reg. Clock to Output Delay	-	10	-	12	-	16	ns
t <sub>h2</sub>	-	11	GLB Reg. Hold Time after Clock	0	-	0	-	0	-	ns
t <sub>r1</sub>	A	12	Ext. Reset Pin to Output Delay	-	15	-	17	-	22.5	ns
t <sub>rw1</sub>	-	13	Ext. Reset Pulse Duration	10	-	10	-	13	-	ns
t <sub>en</sub>	B	14	Input to Output Enable	-	15	-	18	-	24	ns
t <sub>dis</sub>	C	15	Input to Output Disable	-	15	-	18	-	24	ns
t <sub>wh</sub>	-	16	Ext. Sync. Clock Pulse Duration, High	4	-	5	-	6	-	ns
t <sub>wl</sub>	-	17	Ext. Sync. Clock Pulse Duration, Low	4	-	5	-	6	-	ns
t <sub>su5</sub>	-	18	I/O Reg. Setup Time before Ext. Sync. Clock (Y2, Y3)	2	-	2	-	2.5	-	ns
t <sub>h5</sub>	-	19	I/O Reg. Hold Time after Ext. Sync. Clock (Y2, Y3)	6.5	-	6.5	-	8.5	-	ns

1. Unless noted otherwise, all parameters use a GRP load of 4 GLBs, ORP and Y0 clock.

Table 2-0030-32/90,80,60C

2. Refer to Timing Model in this data sheet for further details.

3. Standard 16-Bit counter using GRP feedback.

4. f<sub>max</sub> (Toggle) may be less than 1/(t<sub>wh</sub> + t<sub>wl</sub>). This is to allow for a clock duty cycle of other than 50%.

5. Reference Switching Test Conditions section.

## Internal Timing Parameters<sup>1</sup>

PARAMETER	# <sup>2</sup>	DESCRIPTION	-90		-80		-60		UNITS
			MIN.	MAX.	MIN.	MAX.	MIN.	MAX.	
<b>Inputs</b>									
<b>t</b> iobp	20	I/O Register Bypass	–	1.6	–	2.0	–	2.7	ns
<b>t</b> iolat	21	I/O Latch Delay	–	2.4	–	3.0	–	4.0	ns
<b>t</b> iosu	22	I/O Register Setup Time before Clock	4.8	–	5.5	–	7.3	–	ns
<b>t</b> ioh	23	I/O Register Hold Time after Clock	2.1	–	1.0	–	1.3	–	ns
<b>t</b> ioco	24	I/O Register Clock to Out Delay	–	2.4	–	3.0	–	4.0	ns
<b>t</b> ior	25	I/O Register Reset to Out Delay	–	2.8	–	2.5	–	3.3	ns
<b>t</b> din	26	Dedicated Input Delay	–	3.2	–	4.0	–	5.3	ns
<b>GRP</b>									
<b>t</b> grp1	27	GRP Delay, 1 GLB Load	–	1.2	–	1.5	–	2.0	ns
<b>t</b> grp4	28	GRP Delay, 4 GLB Loads	–	1.6	–	2.0	–	2.7	ns
<b>t</b> grp8	29	GRP Delay, 8 GLB Loads	–	2.4	–	3.0	–	4.0	ns
<b>t</b> grp12	30	GRP Delay, 12 GLB Loads	–	3.0	–	3.8	–	5.0	ns
<b>t</b> grp16	31	GRP Delay, 16 GLB Loads	–	3.6	–	4.5	–	6.0	ns
<b>t</b> grp32	32	GRP Delay, 32 GLB Loads	–	6.4	–	8.0	–	10.6	ns
<b>GLB</b>									
<b>t</b> 4ptbp	33	4 Product Term Bypass Path Delay	–	5.2	–	6.5	–	8.6	ns
<b>t</b> 1ptxor	34	1 Product Term/XOR Path Delay	–	5.7	–	7.0	–	9.3	ns
<b>t</b> 20ptxor	35	20 Product Term/XOR Path Delay	–	7.0	–	8.0	–	10.6	ns
<b>t</b> xoradj	36	XOR Adjacent Path Delay <sup>3</sup>	–	8.2	–	9.5	–	12.7	ns
<b>t</b> gbp	37	GLB Register Bypass Delay	–	0.8	–	1.0	–	1.3	ns
<b>t</b> gsu	38	GLB Register Setup Time before Clock	1.2	–	1.0	–	1.3	–	ns
<b>t</b> gh	39	GLB Register Hold Time after Clock	3.6	–	4.5	–	6.0	–	ns
<b>t</b> gco	40	GLB Register Clock to Output Delay	–	1.6	–	2.0	–	2.7	ns
<b>t</b> gr	41	GLB Register Reset to Output Delay	–	2.0	–	2.5	–	3.3	ns
<b>t</b> ptre	42	GLB Product Term Reset to Register Delay	–	8.0	–	10.0	–	13.3	ns
<b>t</b> ptoe	43	GLB Product Term Output Enable to I/O Cell Delay	–	7.8	–	9.0	–	12.0	ns
<b>t</b> ptck	44	GLB Product Term Clock Delay	2.8	6.0	3.5	7.5	4.6	9.9	ns
<b>ORP</b>									
<b>t</b> orp	45	ORP Delay	–	2.4	–	2.5	–	3.3	ns
<b>t</b> orpbp	46	ORP Bypass Delay	–	0.4	–	0.5	–	0.7	ns

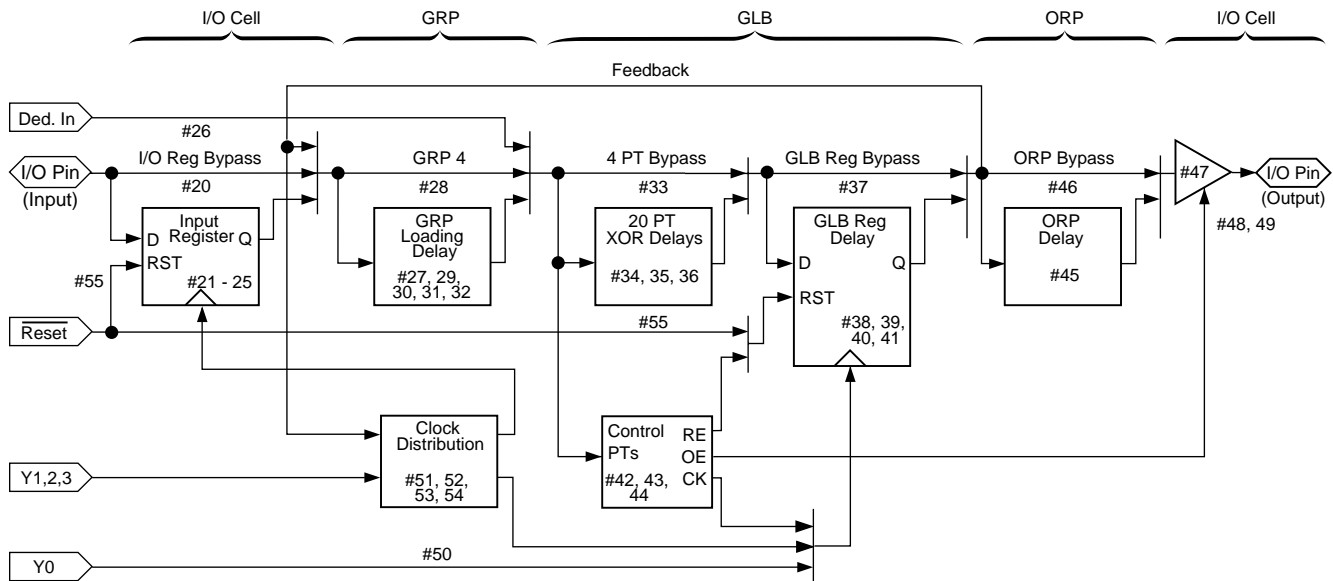
1. Internal Timing Parameters are not tested and are for reference only.
2. Refer to Timing Model in this data sheet for further details.
3. The XOR adjacent path can only be used by hard macros.

## Internal Timing Parameters<sup>1</sup>

PARAMETER	# <sup>2</sup>	DESCRIPTION	-90		-80		-60		UNITS
			MIN.	MAX.	MIN.	MAX.	MIN.	MAX.	
<b>Outputs</b>									
<b>t<sub>ob</sub></b>	47	Output Buffer Delay	-	2.4	-	3.0	-	4.0	ns
<b>t<sub>oen</sub></b>	48	I/O Cell OE to Output Enabled	-	4.0	-	5.0	-	6.7	ns
<b>t<sub>odis</sub></b>	49	I/O Cell OE to Output Disabled	-	4.0	-	5.0	-	6.7	ns
<b>Clocks</b>									
<b>t<sub>gy0</sub></b>	50	Clock Delay, Y0 to Global GLB Clock Line (Ref. clock)	3.6	3.6	4.5	4.5	6.0	6.0	ns
<b>t<sub>gy1/2</sub></b>	51	Clock Delay, Y1 or Y2 to Global GLB Clock Line	2.8	4.4	3.5	5.5	4.6	7.3	ns
<b>t<sub>gcp</sub></b>	52	Clock Delay, Clock GLB to Global GLB Clock Line	0.8	4.0	1.0	5.0	1.3	6.6	ns
<b>t<sub>ioy2/3</sub></b>	53	Clock Delay, Y2 or Y3 to I/O Cell Global Clock Line	2.8	4.4	3.5	5.5	4.6	7.3	ns
<b>t<sub>iocp</sub></b>	54	Clock Delay, Clock GLB to I/O Cell Global Clock Line	0.8	4.0	1.0	5.0	1.3	6.6	ns
<b>Global Reset</b>									
<b>t<sub>gr</sub></b>	55	Global Reset to GLB and I/O Registers	-	8.2	-	9.0	-	12.0	ns

1. Internal Timing Parameters are not tested and are for reference only.
2. Refer to Timing Model in this data sheet for further details.

**ispLSI and pLSI 1032 Timing Model**



**Derivations of  $t_{su}$ ,  $t_h$  and  $t_{co}$  from the Product Term Clock<sup>1</sup>**

$$\begin{aligned}
 t_{su} &= \text{Logic} + \text{Reg } s_u - \text{Clock (min)} \\
 &= (t_{iobp} + t_{grp4} + t_{20ptxor}) + (t_{gsu}) - (t_{iobp} + t_{grp4} + t_{ptck(min)}) \\
 &= (\#20 + \#28 + \#35) + (\#38) - (\#20 + \#28 + \#44) \\
 5.5 \text{ ns} &= (2.0 + 2.0 + 8.0) + (1.0) - (2.0 + 2.0 + 3.5) \\
 \\
 t_h &= \text{Clock (max)} + \text{Reg } h - \text{Logic} \\
 &= (t_{iobp} + t_{grp4} + t_{ptck(max)}) + (t_{gh}) - (t_{iobp} + t_{grp4} + t_{20ptxor}) \\
 &= (\#20 + \#28 + \#44) + (\#39) - (\#20 + \#28 + \#35) \\
 4.0 \text{ ns} &= (2.0 + 2.0 + 7.5) + (4.5) - (2.0 + 2.0 + 8.0) \\
 \\
 t_{co} &= \text{Clock (max)} + \text{Reg } c_o + \text{Output} \\
 &= (t_{iobp} + t_{grp4} + t_{ptck(max)}) + (t_{gco}) + (t_{orp} + t_{ob}) \\
 &= (\#20 + \#28 + \#44) + (\#40) + (\#45 + \#47) \\
 19.0 \text{ ns} &= (2.0 + 2.0 + 7.5) + (2.0) + (2.5 + 3.0)
 \end{aligned}$$

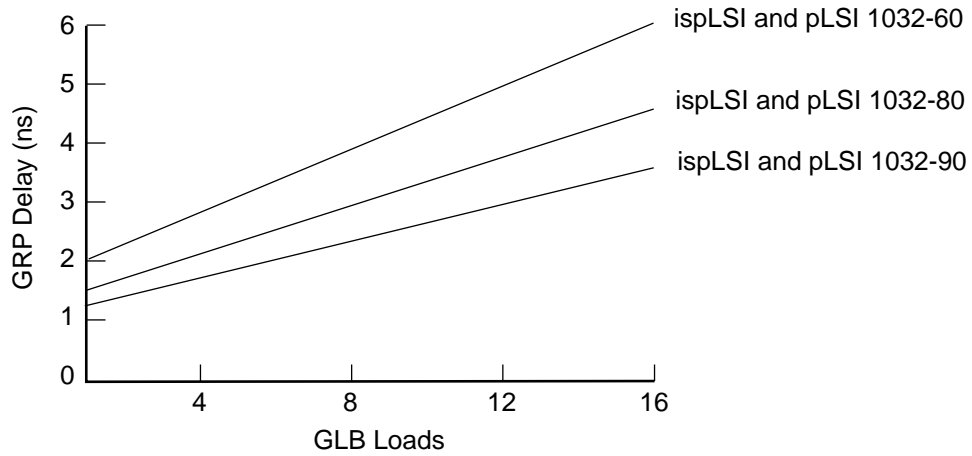
**Derivations of  $t_{su}$ ,  $t_h$  and  $t_{co}$  from the Clock GLB<sup>1</sup>**

$$\begin{aligned}
 t_{su} &= \text{Logic} + \text{Reg } s_u - \text{Clock (min)} \\
 &= (t_{iobp} + t_{grp4} + t_{20ptxor}) + (t_{gsu}) - (t_{gy0(min)} + t_{gco} + t_{gcp(min)}) \\
 &= (\#20 + \#28 + \#35) + (\#38) - (\#50 + \#40 + \#52) \\
 5.5 \text{ ns} &= (2.0 + 2.0 + 8.0) + (1.0) - (4.5 + 2.0 + 1.0) \\
 \\
 t_h &= \text{Clock (max)} + \text{Reg } h - \text{Logic} \\
 &= (t_{gy0(max)} + t_{gco} + t_{gcp(max)}) + (t_{gh}) - (t_{iobp} + t_{grp4} + t_{20ptxor}) \\
 &= (\#50 + \#40 + \#52) + (\#39) - (\#20 + \#28 + \#35) \\
 4.0 \text{ ns} &= (4.5 + 2.0 + 5.0) + (4.5) - (2.0 + 2.0 + 8.0) \\
 \\
 t_{co} &= \text{Clock (max)} + \text{Reg } c_o + \text{Output} \\
 &= (t_{gy0(max)} + t_{gco} + t_{gcp(max)}) + (t_{gco}) + (t_{orp} + t_{ob}) \\
 &= (\#50 + \#40 + \#52) + (\#40) + (\#45 + \#47) \\
 19.0 \text{ ns} &= (4.5 + 2.0 + 5.0) + (2.0) + (2.5 + 3.0)
 \end{aligned}$$

1. Calculations are based upon timing specifications for the ispLSI and pLSI 1032-80.



**Maximum GRP Delay vs GLB Loads**



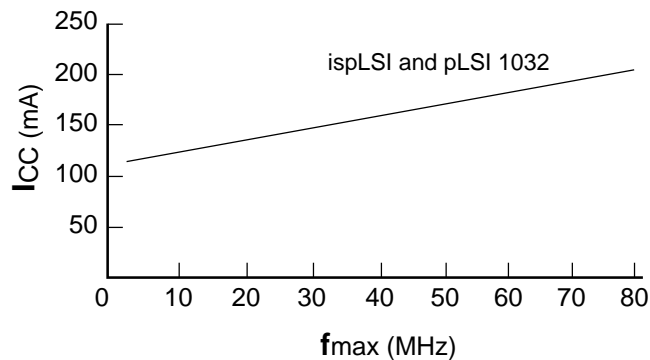
0126A-80-32-isp

**Power Consumption**

Power consumption in the ispLSI and pLSI 1032 device depends on two primary factors: the speed at which the device is operating, and the number of Product Terms

used. Figure 3 shows the relationship between power and operating speed.

**Figure 3. Typical Device Power Consumption vs fmax**



Notes: Configuration of eight 16-bit Counters  
Typical Current at 5V, 25°C

ICC can be estimated for the ispLSI and pLSI 1032 using the following equation:

$$I_{CC} = 52 + (\# \text{ of PTs} * 0.30) + (\# \text{ of nets} * \text{Max. freq} * 0.009) \text{ where:}$$

# of PTs = Number of Product Terms used in design

# of nets = Number of Signals used in device

Max. freq = Highest Clock Frequency to the device

The ICC estimate is based on typical conditions (VCC = 5.0V, room temperature) and an assumption of 2 GLB loads on average exists. These values are for estimates only. Since the value of ICC is sensitive to operating conditions and the program in the device, the actual ICC should be verified.

0127A-32-80-isp

**In-System Programmability**

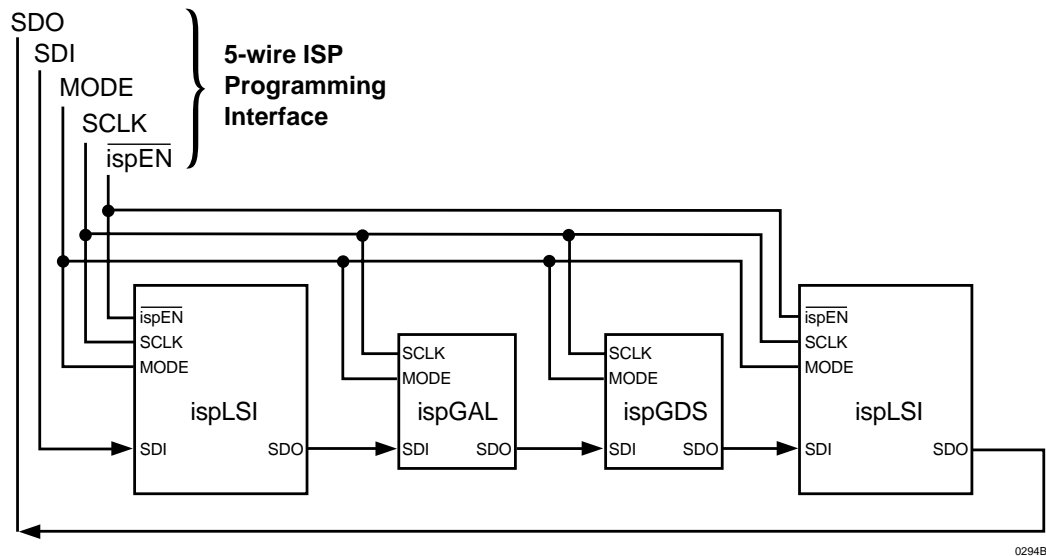
The ispLSI devices are the in-system programmable versions of the Lattice Semiconductor High-Density programmable Large Scale Integration (pLSI) devices. By integrating all the high voltage programming circuitry on-chip, programming can be accomplished by simply shifting data into the device. Once the function is programmed, the non-volatile E<sup>2</sup>CMOS cells will not lose the pattern even when the power is turned off.

All necessary programming is done via five TTL level logic interface signals. These five signals are fed into the on-chip programming circuitry where a state machine

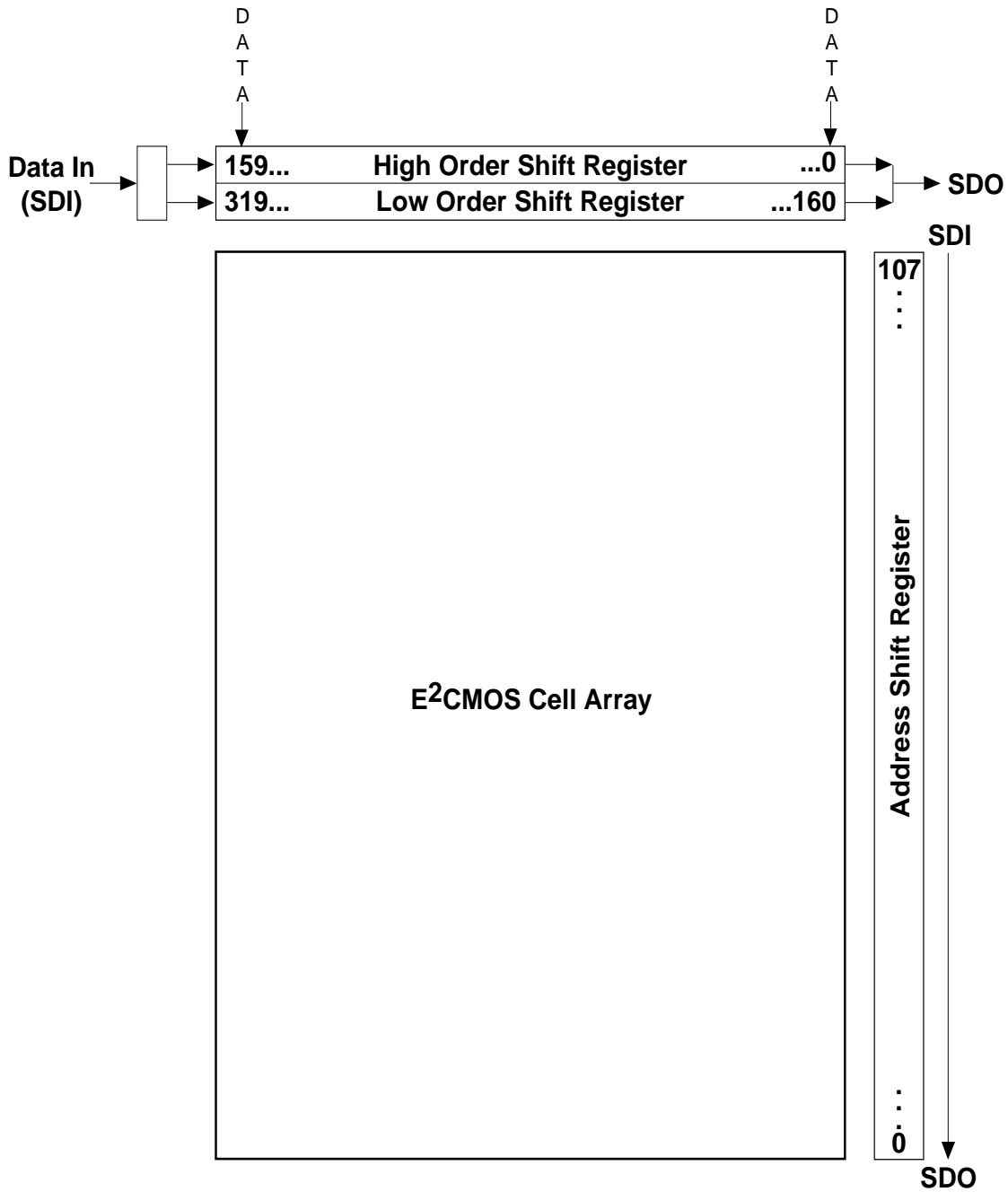
controls the programming. The interface signals are isp Enable ( $\overline{\text{ispEN}}$ ), Serial Data In (SDI), Serial Data Out (SDO), Serial Clock (SCLK) and Mode (MODE) control. Figure 4 illustrates the block diagram of one possible scheme for programming the ispLSI devices. For details on the operation of the internal state machine and programming of the device please refer to the ISP Architecture and Programming section in this Data Book.

The device identifier for the ispLSI 1032 is 0000 0011 (03 hex). This code is the unique device identifier which is generated when a read ID command is performed.

**Figure 4. ISP Programming Interface**



**ispLSI 1032 Shift Register Layout**



Note: A logic "1" in the Address Shift Register bit position enables the row for programming or verification. A logic "0" disables it.

## Pin Description

Name	PLCC Pin Numbers	Description
I/O 0 - I/O 3 I/O 4 - I/O 7 I/O 8 - I/O 11 I/O 12 - I/O 15 I/O 16 - I/O 19 I/O 20 - I/O 23 I/O 24 - I/O 27 I/O 28 - I/O 31 I/O 32 - I/O 35 I/O 36 - I/O 39 I/O 40 - I/O 43 I/O 44 - I/O 47 I/O 48 - I/O 51 I/O 52 - I/O 55 I/O 56 - I/O 59 I/O 60 - I/O 63	26, 27, 28, 29, 30, 31, 32, 33, 34, 35, 36, 37, 38, 39, 40, 41, 45, 46, 47, 48, 49, 50, 51, 52, 53, 54, 55, 56, 57, 58, 59, 60, 68, 69, 70, 71, 72, 73, 74, 75, 76, 77, 78, 79, 80, 81, 82, 83, 3, 4, 5, 6, 7, 8, 9, 10, 11, 12, 13, 14, 15, 16, 17, 18	Input/Output Pins - These are the general purpose I/O pins used by the logic array.
IN 4 - IN 7	67, 84, 2, 19	Dedicated input pins to the device.
$\overline{\text{ispEN}}^*/\text{NC}$	23	Input – Dedicated in-system programming enable input pin. This pin is brought low to enable the programming mode. The MODE, SDI, SDO and SCLK options become active.
SDI*/IN 0	25	Input – This pin performs two functions. It is a dedicated input pin when $\overline{\text{ispEN}}$ is logic high. When $\overline{\text{ispEN}}$ is logic low, it functions as an input pin to load programming data into the device. SDI/IN 0 also is used as one of the two control pins for the isp state machine.
MODE*/IN 1	42	Input – This pin performs two functions. It is a dedicated input pin when $\overline{\text{ispEN}}$ is logic high. When $\overline{\text{ispEN}}$ is logic low, it functions as a pin to control the operation of the isp state machine.
SDO*/IN 2	44	Input/Output – This pin performs two functions. It is a dedicated input pin when $\overline{\text{ispEN}}$ is logic high. When $\overline{\text{ispEN}}$ is logic low, it functions as an output pin to read serial shift register data.
SCLK*/IN 3	61	Input – This pin performs two functions. It is a dedicated input when $\overline{\text{ispEN}}$ is logic high. When $\overline{\text{ispEN}}$ is logic low, it functions as a clock pin for the Serial Shift Register.
$\overline{\text{RESET}}$	24	Active Low (0) Reset pin which resets all of the GLB and I/O registers in the device.
Y0	20	Dedicated Clock input. This clock input is connected to one of the clock inputs of all of the GLBs on the device.
Y1	66	Dedicated Clock input. This clock input is brought into the clock distribution network, and can optionally be routed to any GLB on the device.
Y2	63	Dedicated Clock input. This clock input is brought into the clock distribution network, and can optionally be routed to any GLB and/or any I/O cell on the device.
Y3	62	Dedicated Clock input. This clock input is brought into the clock distribution network, and can optionally be routed to any I/O cell on the device.
GND VCC	1, 22, 43, 64 21, 65	Ground (GND) V <sub>CC</sub>

\* For ispLSI 1032 Only

Table 2-0002A-32-isp

## Pin Description

Name	TQFP Pin Numbers	Description
I/O 0 - I/O 3 I/O 4 - I/O 7 I/O 8 - I/O 11 I/O 12 - I/O 15 I/O 16 - I/O 19 I/O 20 - I/O 23 I/O 24 - I/O 27 I/O 28 - I/O 31 I/O 32 - I/O 35 I/O 36 - I/O 39 I/O 40 - I/O 43 I/O 44 - I/O 47 I/O 48 - I/O 51 I/O 52 - I/O 55 I/O 56 - I/O 59 I/O 60 - I/O 63	17, 18, 19, 20, 21, 22, 23, 28, 29, 30, 31, 32, 33, 34, 35, 36, 40, 41, 42, 43, 44, 45, 46, 47, 48, 53, 54, 55, 56, 57, 58, 59, 67, 68, 69, 70, 71, 72, 73, 78, 79, 80, 81, 82, 83, 84, 85, 86, 90, 91, 92, 93, 94, 95, 96, 97, 98, 3, 4, 5, 6, 7, 8, 9	Input/Output Pins - These are the general purpose I/O pins used by the logic array.
IN 4 - IN 7	66, 87, 89, 10	Dedicated input pins to the device.
ispEN*/NC	14	Input – Dedicated in-system programming enable input pin. This pin is brought low to enable the programming mode. The MODE, SDI, SDO and SCLK options become active.
SDI*/IN 0	16	Input – This pin performs two functions. It is a dedicated input pin when <u>ispEN</u> is logic high. When <u>ispEN</u> is logic low, it functions as an input pin to load programming data into the device. SDI/IN 0 also is used as one of the two control pins for the isp state machine.
MODE*/IN 1	37	Input – This pin performs two functions. It is a dedicated input pin when <u>ispEN</u> is logic high. When <u>ispEN</u> is logic low, it functions as a pin to control the operation of the isp state machine.
SDO*/IN 2	39	Input/Output – This pin performs two functions. It is a dedicated input pin when <u>ispEN</u> is logic high. When <u>ispEN</u> is logic low, it functions as an output pin to read serial shift register data.
SCLK*/IN 3	60	Input – This pin performs two functions. It is a dedicated input when <u>ispEN</u> is logic high. When <u>ispEN</u> is logic low, it functions as a clock pin for the Serial Shift Register.
NC	1, 2, 24, 25, 26, 27, 49, 50, 51, 52, 74, 75 76, 77, 99, 100	These pins are not used.
RESET	15	Active Low (0) Reset pin which resets all of the GLB and I/O registers in the device.
Y0	11	Dedicated Clock input. This clock input is connected to one of the clock inputs of all of the GLBs on the device.
Y1	65	Dedicated Clock input. This clock input is brought into the clock distribution network, and can optionally be routed to any GLB on the device.
Y2	62	Dedicated Clock input. This clock input is brought into the clock distribution network, and can optionally be routed to any GLB and/or any I/O cell on the device.
Y3	61	Dedicated Clock input. This clock input is brought into the clock distribution network, and can optionally be routed to any I/O cell on the device.
GND VCC	13, 38, 63, 88 12, 64	Ground (GND) V <sub>CC</sub>

\* For ispLSI 1032 Only

Table 2- 0002B-32-isp

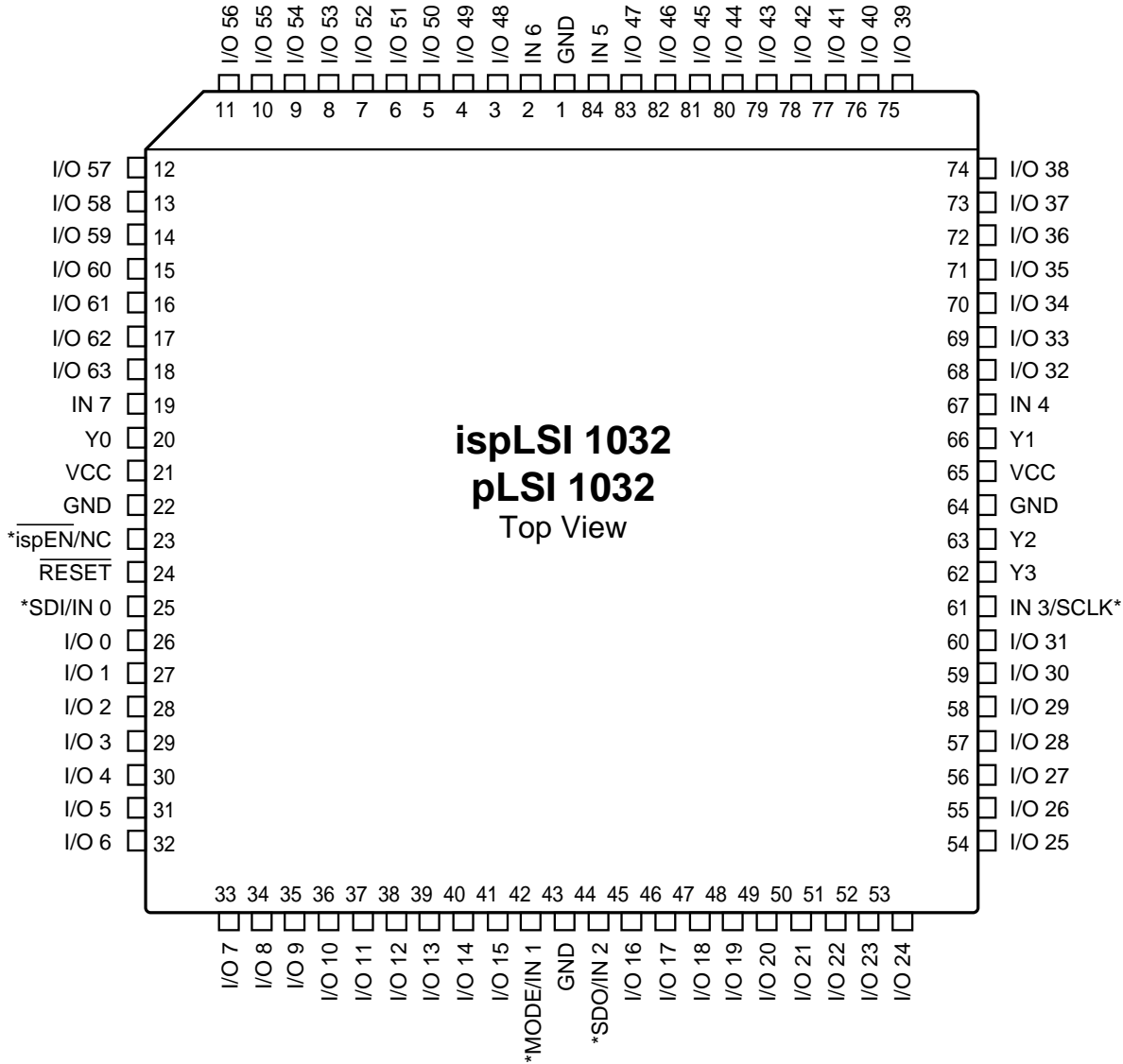
## Pin Description

Name	CPGA Pin Numbers	Description
I/O 0 - I/O 3 I/O 4 - I/O 7 I/O 8 - I/O 11 I/O 12 - I/O 15 I/O 16 - I/O 19 I/O 20 - I/O 23 I/O 24 - I/O 27 I/O 28 - I/O 31 I/O 32 - I/O 35 I/O 36 - I/O 39 I/O 40 - I/O 43 I/O 44 - I/O 47 I/O 48 - I/O 51 I/O 52 - I/O 55 I/O 56 - I/O 59 I/O 60 - I/O 63	F1, H1, H2, J1, K1, J2, L1, K2, K3, L2, L3, K4, L4, J5, K5, L5, L7, K7, L6, L8, K8, L9, L10, K9, L11, K10, J10, K11, J11, H10, H11, F10, E9, D11, D10, C11, B11, C10, A11, B10, B9, A10, A9, B8, A8, B6, B7, A7, A5, B5, C5, A4, B4, A3, A2, B3, A1, B2, C2, B1, C1, D2, D1, E3	Input/Output Pins - These are the general purpose I/O pins used by the logic array.
IN 4 - IN 7	E10, C7, A6, E2	Dedicated input pins to the device.
$\overline{\text{ispEN}}^*/\text{NC}$  SDI*/IN 0  MODE*/IN 1  SDO*/IN 2  SCLK*/IN 3	G3  G2  K6  J7  G10	<p>Input – Dedicated in-system programming enable input pin. This pin is brought low to enable the programming mode. The MODE, SDI, SDO and SCLK options become active.</p> <p>Input – This pin performs two functions. It is a dedicated input pin when <math>\overline{\text{ispEN}}</math> is logic high. When <math>\overline{\text{ispEN}}</math> is logic low, it functions as an input pin to load programming data into the device. SDI/IN 0 also is used as one of the two control pins for the isp state machine.</p> <p>Input – This pin performs two functions. It is a dedicated input pin when <math>\overline{\text{ispEN}}</math> is logic high. When <math>\overline{\text{ispEN}}</math> is logic low, it functions as a pin to control the operation of the isp state machine.</p> <p>Input/Output – This pin performs two functions. It is a dedicated input pin when <math>\overline{\text{ispEN}}</math> is logic high. When <math>\overline{\text{ispEN}}</math> is logic low, it functions as an output pin to read serial shift register data.</p> <p>Input – This pin performs two functions. It is a dedicated input when <math>\overline{\text{ispEN}}</math> is logic high. When <math>\overline{\text{ispEN}}</math> is logic low, it functions as a clock pin for the Serial Shift Register.</p>
$\overline{\text{RESET}}$  Y0  Y1  Y2  Y3  NC	G1  E1  E11  G9  G11  G3	<p>Active Low (0) Reset pin which resets all of the GLB and I/O registers in the device.</p> <p>Dedicated Clock input. This clock input is connected to one of the clock inputs of all of the GLBs on the device.</p> <p>Dedicated Clock input. This clock input is brought into the clock distribution network, and can optionally be routed to any GLB on the device.</p> <p>Dedicated Clock input. This clock input is brought into the clock distribution network, and can optionally be routed to any GLB and/or any I/O cell on the device.</p> <p>Dedicated Clock input. This clock input is brought into the clock distribution network, and can optionally be routed to any I/O cell on the device.</p> <p>This pin should be left floating or tied to <math>V_{CC}</math>. This pin should never be tied to GND.</p>
GND $V_{CC}$	C6, F3, F9, J6 F2, F11	Ground (GND) $V_{CC}$

Table 2-0002-32/883

**Pin Configuration**

**ispLSI and pLSI 1032 84-Pin PLCC Pinout Diagram**

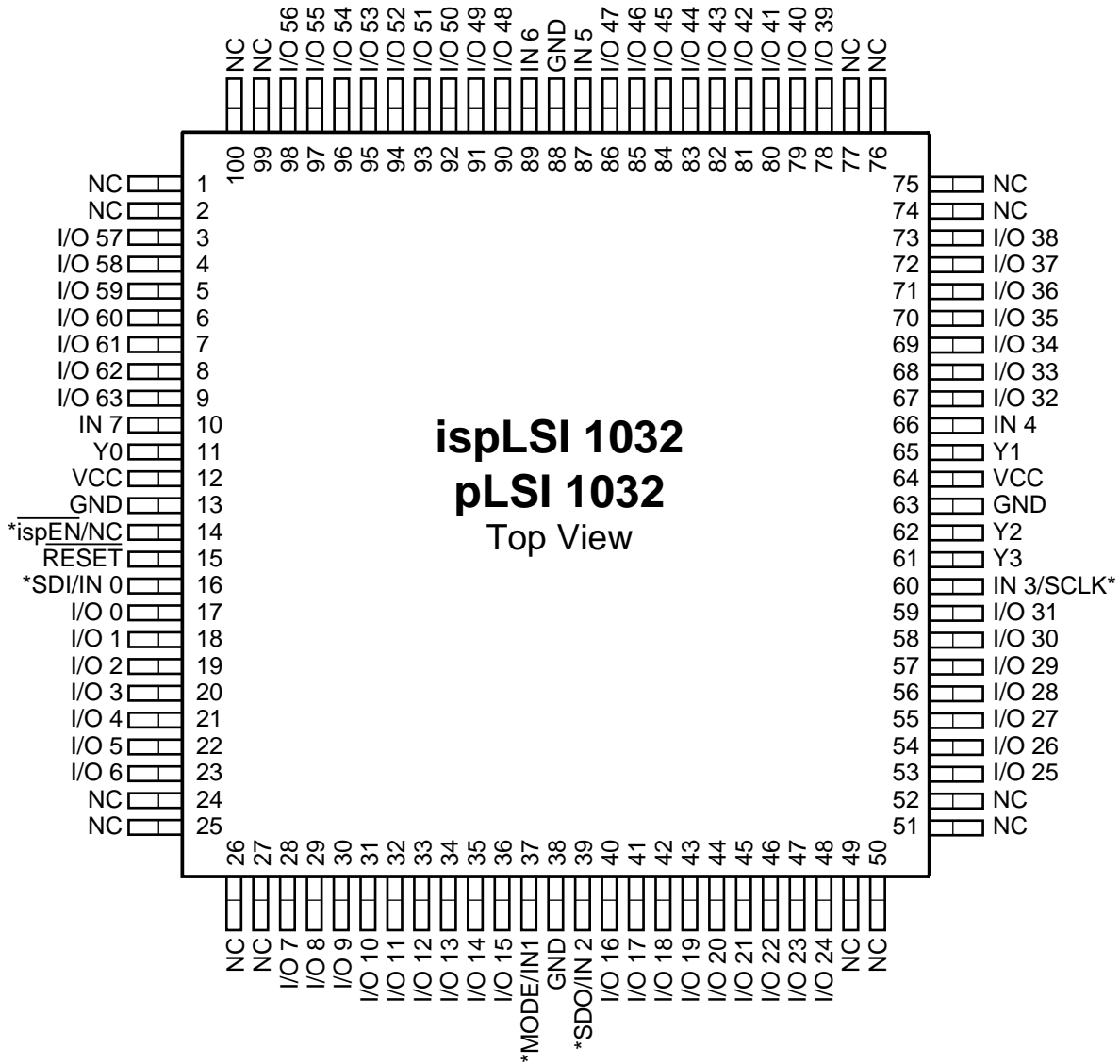


\*Pins have dual function capability for ispLSI 1032 only (except pin 23, which is  $\overline{\text{ispEN}}$  only).

0123-32-isp

**Pin Configuration**

ispLSI and pLSI 1032 100-pin TQFP Pinout Diagram



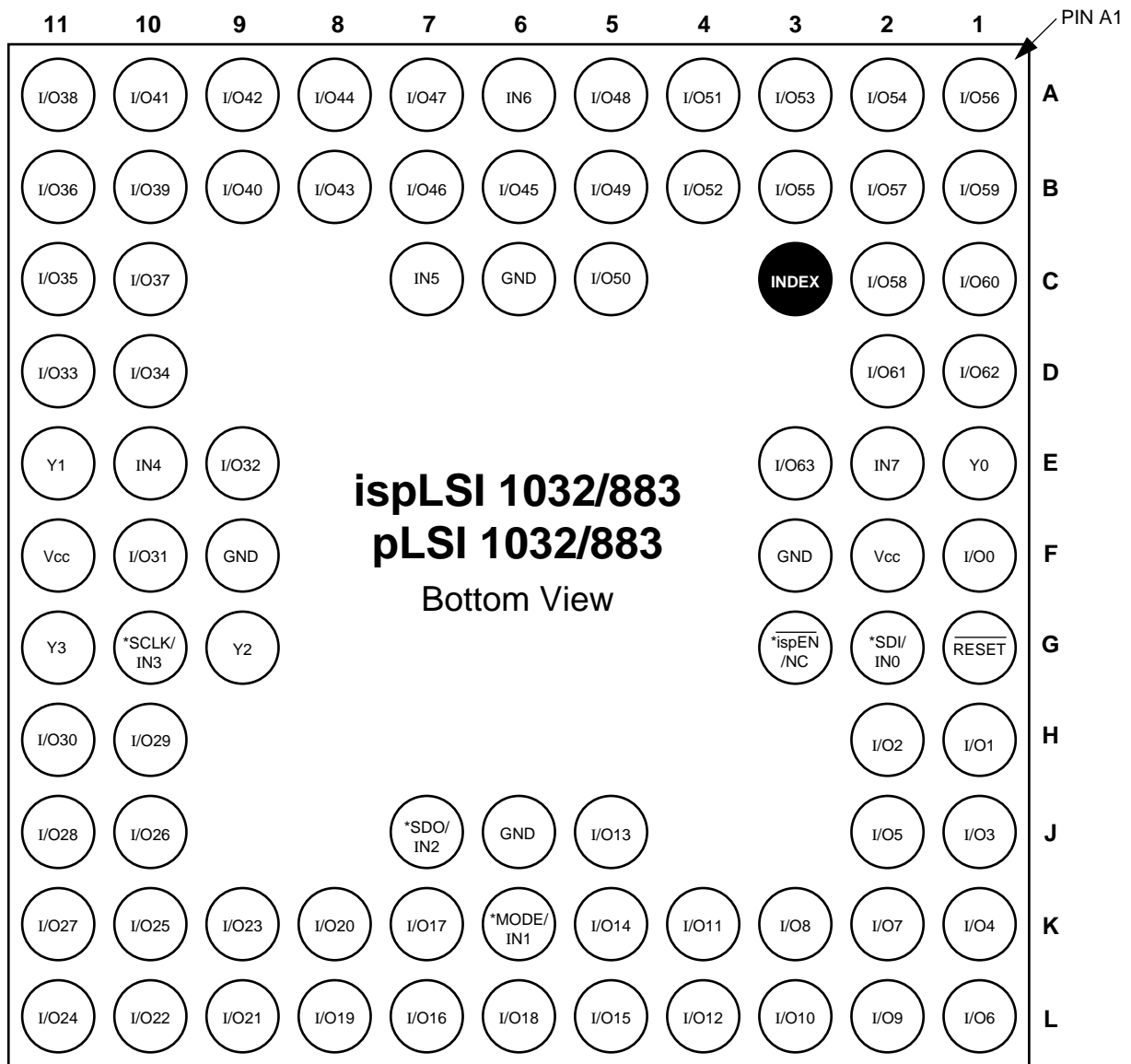
\*Pins have dual function capability for ispLSI 1032 only (except pin 14, which is  $\overline{\text{ispEN}}$  only).

0766A-32-isp



**Pin Configuration**

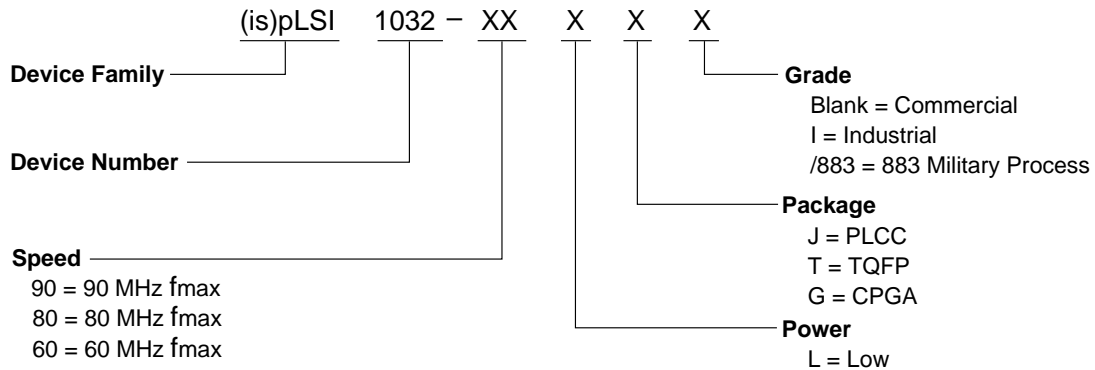
ispLSI and pLSI 1032/883 84-Pin CPGA Pinout Diagram



\*Pins have dual function capability for ispLSI 1032/883 only (except pin G3, which is  $\overline{\text{ispEN}}$  only).

0488A-32-isp/883

**Part Number Description**



0212-80B-isp1032

**ispLSI and pLSI 1032 Ordering Information**

**COMMERCIAL**

Family	f <sub>max</sub> (MHz)	t <sub>pd</sub> (ns)	Ordering Number	Package
ispLSI	90	12	ispLSI 1032-90LJ	84-Pin PLCC
	90	12	ispLSI 1032-90LT	100-Pin TQFP
	80	15	ispLSI 1032-80LJ	84-Pin PLCC
	80	15	ispLSI 1032-80LT	100-Pin TQFP
	60	20	ispLSI 1032-60LJ	84-Pin PLCC
	60	20	ispLSI 1032-60LT	100-Pin TQFP
pLSI	90	12	pLSI 1032-90LJ	84-Pin PLCC
	90	12	pLSI 1032-90LT	100-Pin TQFP
	80	15	pLSI 1032-80LJ	84-Pin PLCC
	80	15	pLSI 1032-80LT	100-Pin TQFP
	60	20	pLSI 1032-60LJ	84-Pin PLCC
	60	20	pLSI 1032-60LT	100-Pin TQFP

**INDUSTRIAL**

Family	f <sub>max</sub> (MHz)	t <sub>pd</sub> (ns)	Ordering Number	Package
ispLSI	60	20	ispLSI 1032-60LJI	84-Pin PLCC
	60	20	ispLSI 1032-60LTI	100-Pin TQFP
pLSI	60	20	pLSI 1032-60LJI	84-Pin PLCC

**MILITARY/883**

Family	f <sub>max</sub> (MHz)	t <sub>pd</sub> (ns)	Ordering Number	SMD Number	Package
ispLSI	60	20	ispLSI 1032-60LG/883	5962-9308501MXC	84-Pin CPGA
pLSI	60	20	pLSI 1032-60LG/883	5962-9466801MXC	84-Pin CPGA

**Note:** Lattice Semiconductor recognizes the trend in military device procurement towards using SMD compliant devices, as such, ordering by this number is recommended.

Table 2- 0041A-32-isp



Copyright © 1997 Lattice Semiconductor Corporation.

E<sup>2</sup>CMOS, GAL, ispGAL, ispLSI, pLSI, pDS, Silicon Forest, UltraMOS, Lattice Semiconductor, L (stylized) Lattice Semiconductor Corp., L (stylized) and Lattice (design) are registered trademarks of Lattice Semiconductor Corporation. Generic Array Logic, ISP, ispATE, ispCODE, ispDOWNLOAD, ispGDS, ispDS, ispDS+, ispStarter, ispSTREAM, ispTEST, ispTURBO, Latch-Lock, pDS+, RFT, Total ISP and Twin GLB are trademarks of Lattice Semiconductor Corporation. ISP is a service mark of Lattice Semiconductor Corporation. All brand names or product names mentioned are trademarks or registered trademarks of their respective holders.

Lattice Semiconductor Corporation (LSC) products are made under one or more of the following U.S. and international patents: 4,761,768 US, 4,766,569 US, 4,833,646 US, 4,852,044 US, 4,855,954 US, 4,879,688 US, 4,887,239 US, 4,896,296 US, 5,130,574 US, 5,138,198 US, 5,162,679 US, 5,191,243 US, 5,204,556 US, 5,231,315 US, 5,231,316 US, 5,237,218 US, 5,245,226 US, 5,251,169 US, 5,272,666 US, 5,281,906 US, 5,295,095 US, 5,329,179 US, 5,331,590 US, 5,336,951 US, 5,353,246 US, 5,357,156 US, 5,359,573 US, 5,394,033 US, 5,394,037 US, 5,404,055 US, 5,418,390 US, 5,493,205 US, 0194091 EP, 0196771B1 EP, 0267271 EP, 0196771 UK, 0194091 GB, 0196771 WG, P3686070.0-08 WG. LSC does not represent that products described herein are free from patent infringement or from any third-party right.

The specifications and information herein are subject to change without notice. Lattice Semiconductor Corporation (LSC) reserves the right to discontinue any product or service without notice and assumes no obligation to correct any errors contained herein or to advise any user of this document of any correction if such be made. LSC recommends its customers obtain the latest version of the relevant information to establish, before ordering, that the information being relied upon is current.

LSC warrants performance of its products to current and applicable specifications in accordance with LSC's standard warranty. Testing and other quality control procedures are performed to the extent LSC deems necessary. Specific testing of all parameters of each product is not necessarily performed, unless mandated by government requirements.

LSC assumes no liability for applications assistance, customer's product design, software performance, or infringements of patents or services arising from the use of the products and services described herein.

LSC products are not authorized for use in life-support applications, devices or systems. Inclusion of LSC products in such applications is prohibited.

#### LATTICE SEMICONDUCTOR CORPORATION

5555 Northeast Moore Court  
Hillsboro, Oregon 97124 U.S.A.

Tel.: (503) 681-0118

FAX: (503) 681-3037

<http://www.latticesemi.com>

February 1997

---